



US00D458533S

(12) **United States Design Patent**
Sonju

(10) **Patent No.:** **US D458,533 S**

(45) **Date of Patent:** **** Jun. 11, 2002**

(54) **TETHER COUPLER FOR PLACEMENT ON A ROPE WITHOUT PASSING A ROPE END THERETHROUGH**

4,774,742 A * 10/1988 Johnson 24/129 R
4,910,834 A * 3/1990 Minkler 24/129 R
D355,583 S * 2/1995 Beauchane D8/356

* cited by examiner

(76) **Inventor:** **Richard O. Sonju**, 2902 Highway 93
North, Kalispell, MT (US) 59901

Primary Examiner—Doris V. Coles
Assistant Examiner—Elizabeth A. Albert
(74) *Attorney, Agent, or Firm*—Keith S. Bergman

(**) **Term:** **14 Years**

(57) **CLAIM**

(21) **Appl. No.:** **29/138,621**

The ornamental design for tether coupler for placement on a rope without passing a rope end therethrough, as shown and described.

(22) **Filed:** **Mar. 19, 2001**

DESCRIPTION

(51) **LOC (7) Cl.** **08-05**

(52) **U.S. Cl.** **D8/356**

(58) **Field of Search** D8/333, 349, 354,
D8/355, 356, 367, 370, 382; 24/115 H,
115 K, 115 M, 115 R, 136 K, 136 L, 582.13,
583.11, 587.1, 588.11, 592.1, 594.11, 598.2,
599.1, 599.5, 599.6, 599.7, 599.8, 600.1,
600.3, 129 A, 129 C, 129 R; 248/205.1,
315, 317, 328, 690; 289/17

FIG. 1 is an isometric view of the tether coupler for placement on a rope without passing a rope end therethrough showing my design, with a rope shown in broken lines for illustrative purposes only and forming no part of the claimed design;

FIG. 2 is an elevational view of the back or front thereof, both of which views are the same;

FIG. 3 is a bottom view thereof;

FIG. 4 is a top view thereof; and,

FIG. 5 is a right or left side elevational view thereof, both of which views are the same.

(56) **References Cited**

U.S. PATENT DOCUMENTS

283,719 A * 8/1883 Mosher 24/129 R
754,518 A * 3/1904 Torrey 24/600.3
3,321,090 A * 5/1967 Greenstadt 248/328

1 Claim, 1 Drawing Sheet

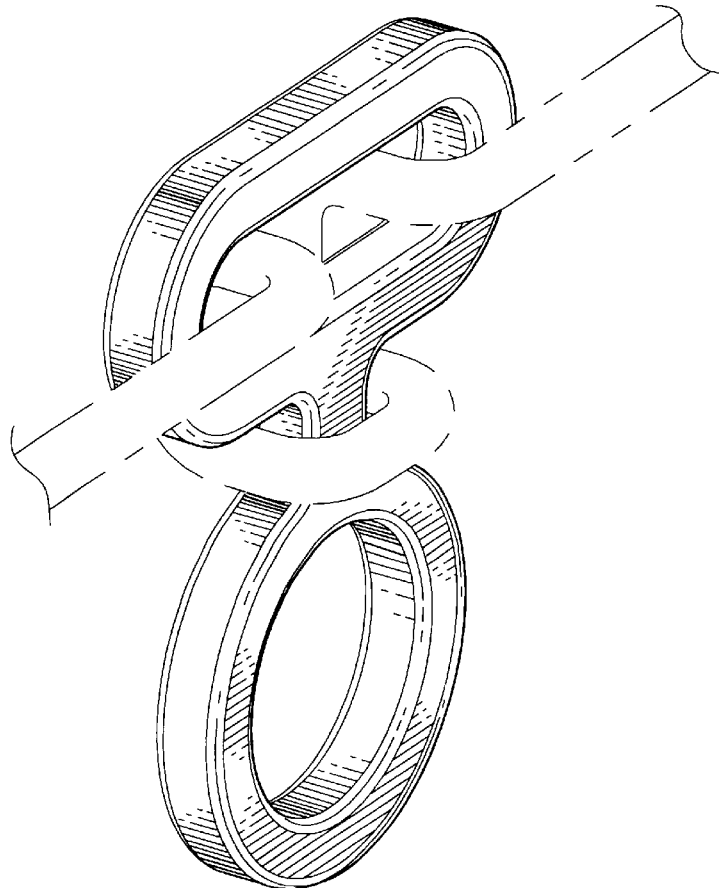


FIG. 1

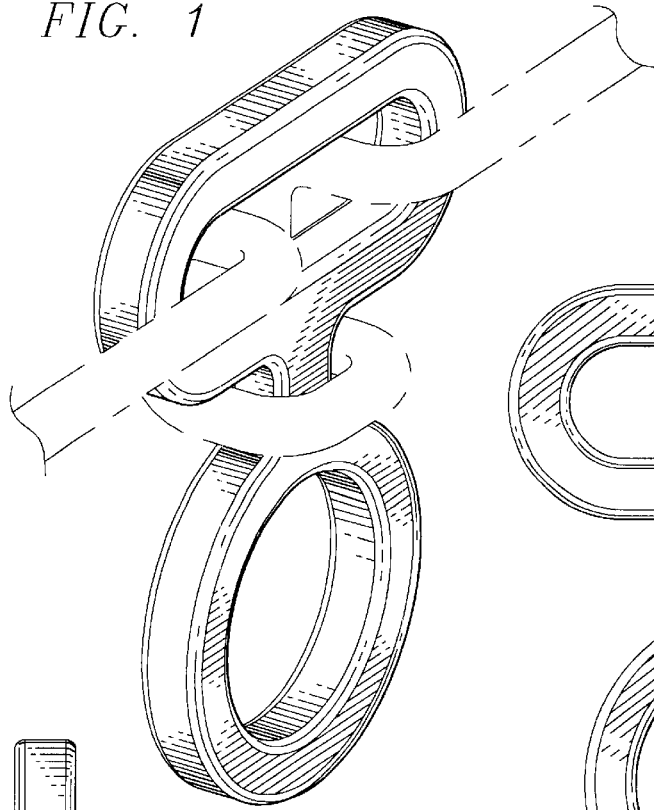


FIG. 2

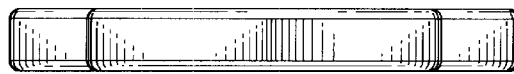
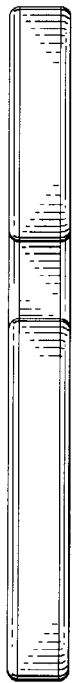
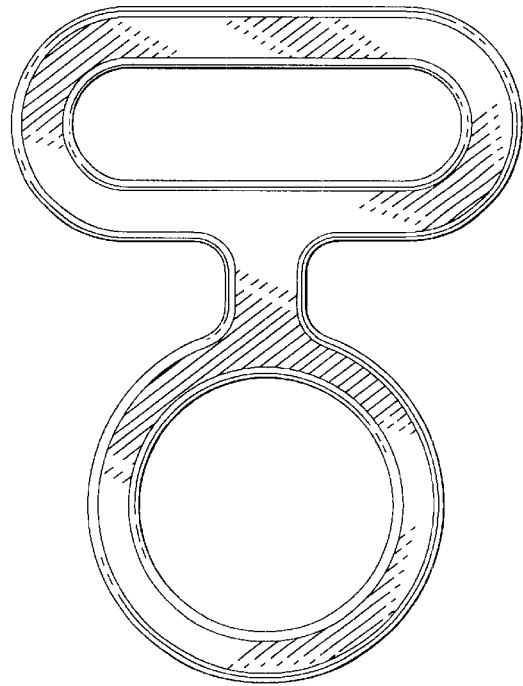


FIG. 3

FIG. 5

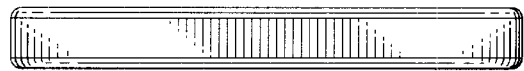


FIG. 4